

VORTEX

Bottom fill



VORTEX BOTTOM FILL

INFO SHEET



Description

Vortex Bottom Fill valves are float operated valves for use in automatic filling of water troughs.

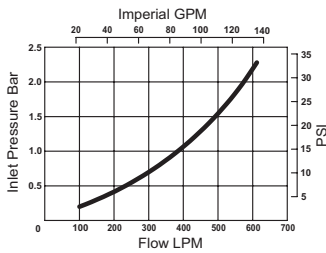
The valve is configured for **underwater mounting only**. The float is connected to the valve with a nylon cord, this operates a pilot valve, when the water level drops, the pilot valve is opened and the main diaphragm valve is activated. Vortex is a good choice where its **high flow**, compact, robust, non corrosive construction is beneficial.

Applications

Maintaining water levels in:

- Animal drinking troughs
- Water storage tanks

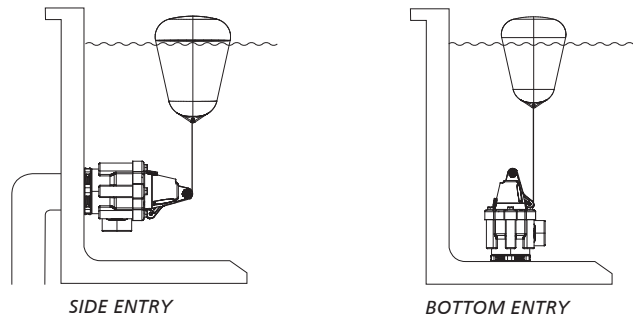
Flow Graph (All sizes)



Features

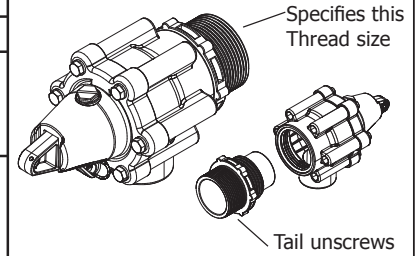
- High flow
- Compact robust construction
- Mounts horizontally or vertically
- Made from corrosion resistant materials
- Valve unscrews from tail for easy Valve seal access
- Shuts down slowly to minimise water hammer
- 20 - 60mm (¾" - 2 ½") water level differential (increases as water inlet pressure increases)
- Pressure rating 0.3 - 7 Bar (5 - 100 PSI)
- Float position easily adjustable with no tools
- Valve has switch to lock it in off position
- Has port to connect Frostpro anti freeze device

Mounting Positions



Options

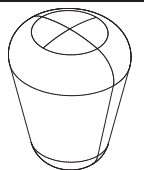
Inlet Size			
BSP	1 ¼" 32mm	1½" 40mm	2" 50mm
NPT	1 ¼"	1 ½"	2"



Floats: Tapered float supplied standard.

Note: Not Suitable for Top mounting.
Refer to VXV for Vortex above water mounting.

Standard tapered Float.



VORTEX BOTTOM FILL VALVE SPECIFICATION

PRODUCT	CODE	INLET SIZE	CODE
Vortex Float Bottom Fill Valve	VXVB	1 ¼" bsp	32
		1 ½" bsp	40
		2" bsp	50
		1 ¼" NPT	114
		1 ½" NPT	112
		2" NPT	2

eg A Vortex Bottom Fill Valve with 2" BSP thread has following spec numbers VXVB50

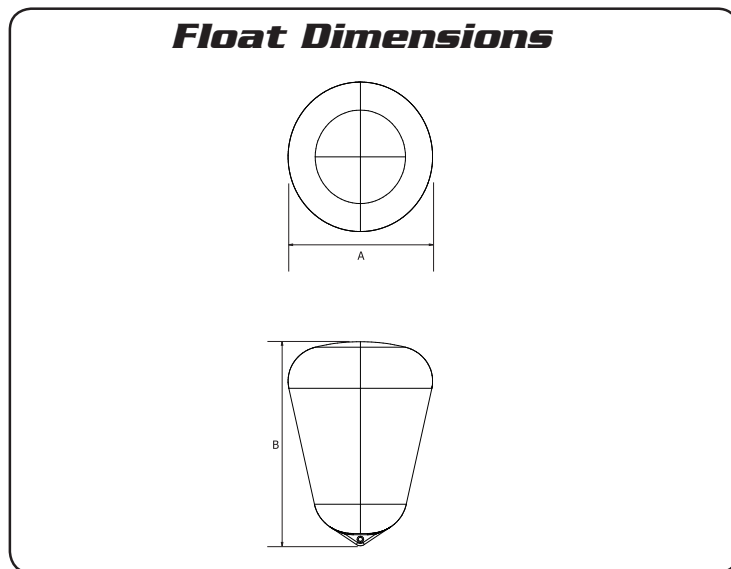
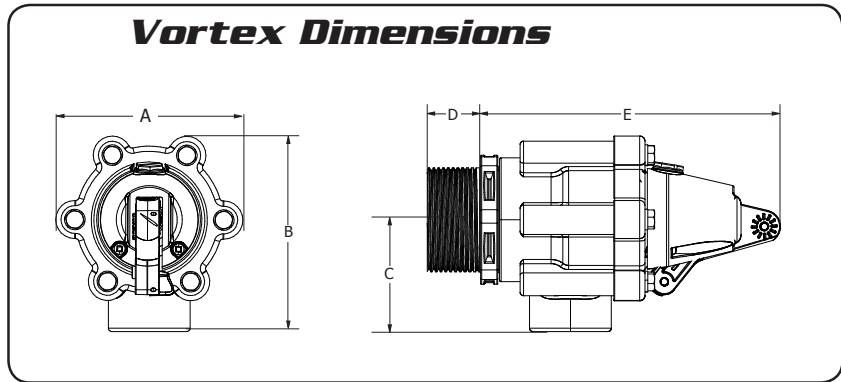
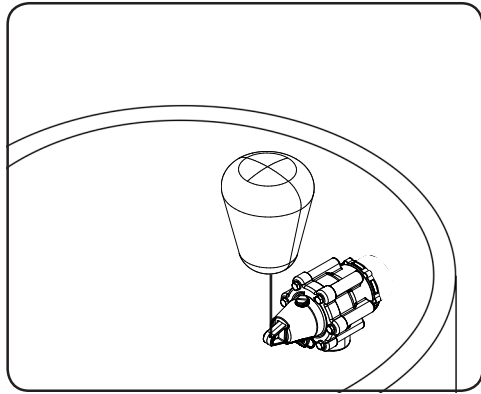
Note: Product may differ slightly from these specs due to ongoing product development.

Note: Before using check that under water mounting is allowed by local regulations.

Note: Product may differ slightly from these specs due to ongoing product development.

VORTEX BOTTOM FILL

DIMENSIONS & MATERIALS



Vortex Dimensions		
	mm	inches
A	108	4 1/4
B	110	4 3/8
C	65	2 9/16
D	31	1 7/16
E	173	6 13/16

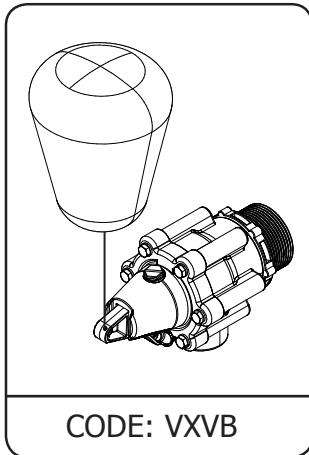
Float Dimensions		
	mm	inches
A	118	4 5/8
B	168	6 5/8

Maximum Temperature of Operation 45°C, 115°F

Materials	
Valve Body	GF Nylon
White Internal, External	Acetal
Arm Assembly	ABS
Diaphragm	EPDM
Seal	Urethane
Springs, Bolts, Nuts, Pin, Screws	304 Stainless Steel
O'Rings	Nitrile
Float	HDPE

VORTEX BOTTOM FILL

PARTS IDENTIFICATION SHEET



	CODE	DESCRIPTION
1	VXPB1	Float Assembly
2	VXPB2	Cap & Actuator Assembly
3	VXPB3	Diaphragm Assembly
4		Base Assembly

	CODE	DESCRIPTION
1	VXPB1010	Float
2	VXPB1020	Float Cord

	CODE	DESCRIPTION
1	VXPB2010	Actuator Cap
2	VXPB2020	6g x 10 S/S Screw
3	VXPB2030	Frost Pro Plug
4	VXPB2040	Frost Pro O'ring
5	VXPB2050	Valve Cap Assembly
6	VXPB2060	Damping Spring
7	VXPB2070	Actuator Spring
8	VXPB2080	Bearings (set of two)
9	VXPB2090	Actuator Arm
10	VXPB2100	Bolt M6 x 65
11	VXPB2110	Washer M6 x 12.5

	CODE	DESCRIPTION
1	VXPB4010	Vortex Retainer
2	VXPB4020	Vortex Base
3	VXPB4030	Vortex O'ring
4	VXPB4040	Vortex Tail 32mm
	VXPB4045	Vortex Tail 40mm
	VXPB4050	Vortex Tail 50mm
	VXPB4055	Vortex Tail 1 1/4" NPT
	VXPB4060	Vortex Tail 1 1/2" NPT
	VXPB4065	Vortex Tail 2" NPT