



[COMPACT]

FLOAT VALVE



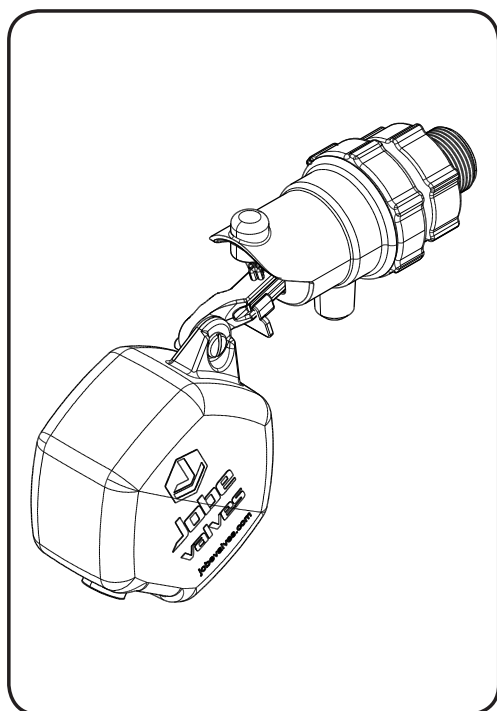
ROJO COMPACT VALVE

DIMENSIONS & MATERIALS

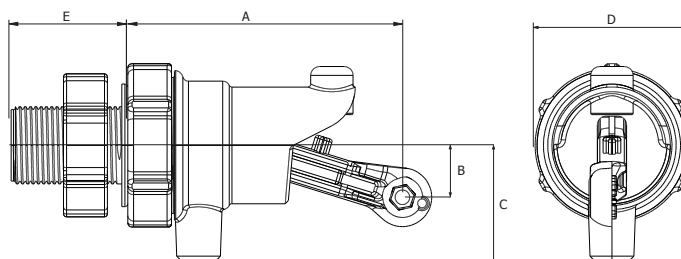


[COMPACT]

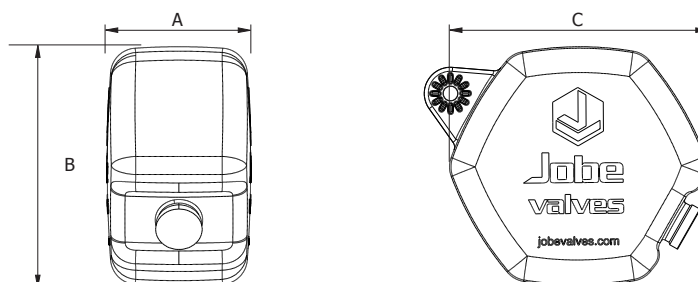
FLOAT VALVE



Rojo Dimensions



Float Dimensions



Rojo Compact Dimensions

	mm	inches
A	88	3 1/2
B	25	1
C	40	1 9/16
D	56	2 1/4
E	38	1 1/2

Float Dimensions

	mm	
A	56	2 1/4
B	91	3 1/2
C	104	4 1/8

Materials

Valve Body	ABS
Tail & Nut	Glass Filled Nylon
Arm	
Extension Arm	
Internal White Mouldings	
Yellow Valve Parts Filter	Acetal
Float	HDPE
Seal Washer	LDPE
Springs Bolts Nuts	304 Stainless Steel
O' Rings	Nitrile

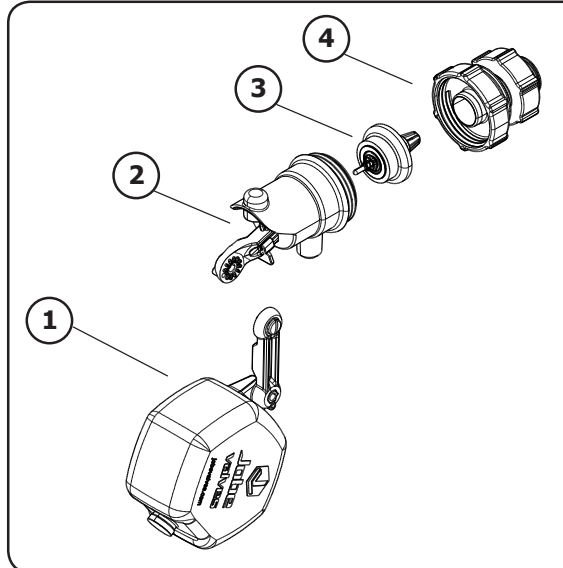
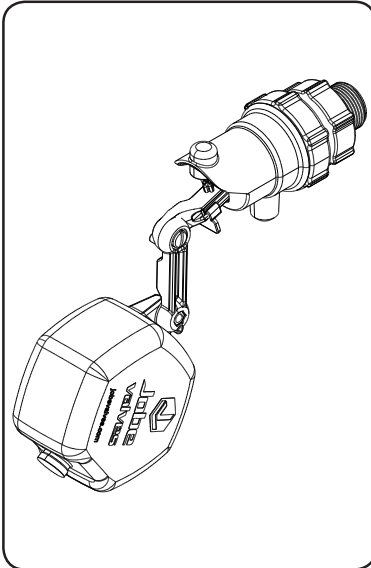
Maximum Temperature of Operation 60°C, 140°F

ROJO COMPACT VALVE

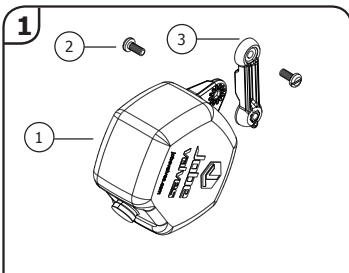
PARTS IDENTIFICATION SHEET



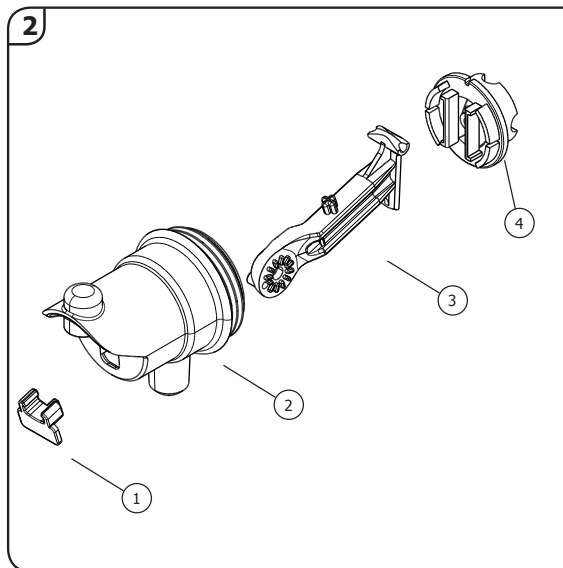
[COMPACT] FLOAT VALVE



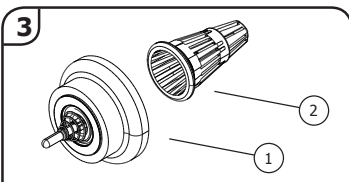
CODE	DESCRIPTION
1	RJPC1 Float & Connection (Compact)
2	RJPC2 Body Assembly (Compact)
3	RJPC3A Inner Cartridge Assembly (Compact)
4	RJP415 15mm (1/2") Tail Assembly
	RJP420 20mm (3/4") Tail Assembly
	RJP420E 20mm (3/4") Ezi Start Tail Assembly



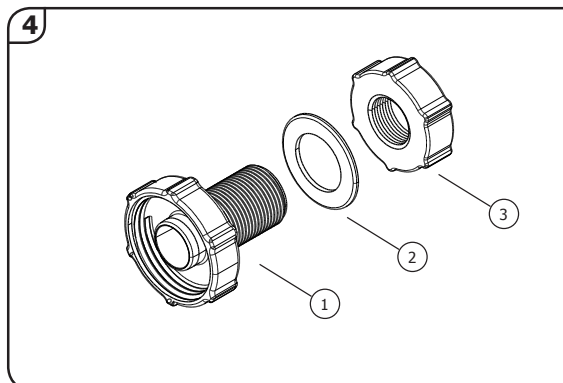
CODE	DESCRIPTION
1	RJPC1013 50mm Float
2	RJP1020A Arm Bolt Slot
	RJP1020B Arm Bolt Phillips
3	RJP1030 Extension Arm 25mm
	RJP1031 Extension Arm 50mm (White)
	RJP1032 Extension Arm 75mm
	RJP1033 Extension Arm 100mm



CODE	DESCRIPTION
1	RJP2010 Lock-Off Switch
2	RJP2030 Body
3	RJPC2042 Arm Assembly (White)
4	RJPC2052 Retainer (White)



CODE	DESCRIPTION
1	RJPC3012 Inner Cartridge (White)
2	RJP3020 Filter



CODE	DESCRIPTION
1	RJP4010 15mm (1/2") Tail
	RJP4011 20mm (3/4") Tail
	RJP4012 20mm (3/4") Tail Ezi Start
2	RJP4020 15mm Seal Washer
	RJP4021 20mm Seal Washer
	RJP4030 15mm (1/2") Backing Nut
3	RJP4131 20mm (3/4") Backing Nut

ROJO COMPACT VALVE

PRODUCT INFO



[COMPACT] FLOAT VALVE

Description

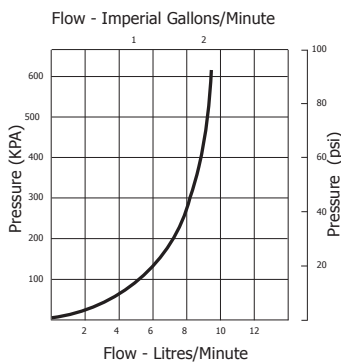
Rojo Compact Valves are float operated valves for automatic filling of water storage vessels. The Rojo Compact can be **mounted above or below water level**. It is a simple mechanically operated valve. The **Rojo Compact** is the optimal choice for **low flow** when space is limited as the narrow weighted float makes for a compact versatile design.

Applications

Maintaining water levels in:

- Animal drinking troughs
- Water storage tanks
- Water Cisterns
- Process applications

Flow Graph



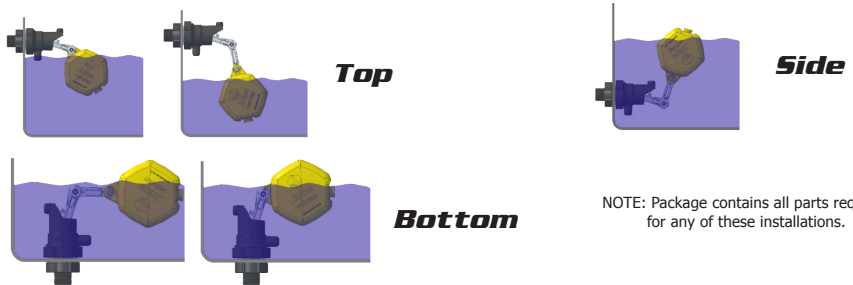
Features

- Fits in Compact spaces
- Float no wider than valve
- Multiple Mounting Positions
- Fully Adjustable Float
- Non-corrosive Material
- Flow stops when unscrewed
- Pressure range 0-10 Bar

(0-150 PSI)

- Non corrosive material construction
- Has switch to lock valve in off position

Mounting Positions



Options

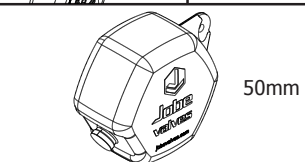
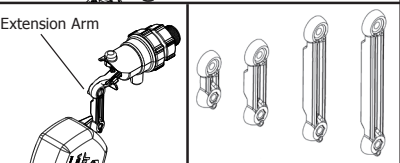
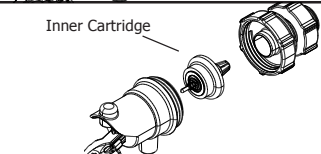
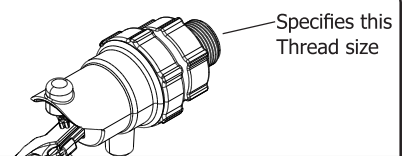
Inlet sizes: 15mm 1/2" bsp/npt
20mm 3/4" bsp/npt

Pressure Rating:
0 Bar (0 PSI) - 10 Bar (150 PSI)

Extension Arms:
50mm Extension Arm supplied STD

Available Extension Arm Lengths:
25mm 50mm 75mm 100mm

Float: 50mm wide float supplied.
Note: 50mm Compact float is weighted



ROJO COMPACT FLOAT VALVE SPECIFICATION

PRODUCT	INLET SIZE	CODE
Rojo Compact	1/2" bsp/npt	RJVC15
	3/4" bsp	RJVC20
	3/4" npt	RJVC20E