

# MEGAFLOW TROUGH VALVE

## PRODUCT INFO



# MEGAFLOW™

## TROUGH VALVE

### Description

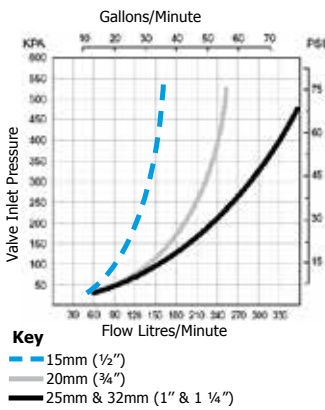
**Megaflow trough valves** are float operated valves for use in automatic filling of water troughs. The valve is configured for **underwater mounting only**. The float is connected to the valve with a nylon cord, this operates a pilot valve, when the water level drops, the pilot valve is opened and the main diaphragm valve is activated. Megaflow is a good choice where its **high flow**, compact, robust, non corrosive construction is beneficial.

### Applications

Maintaining water levels in:

- Animal drinking troughs
- Water storage tanks

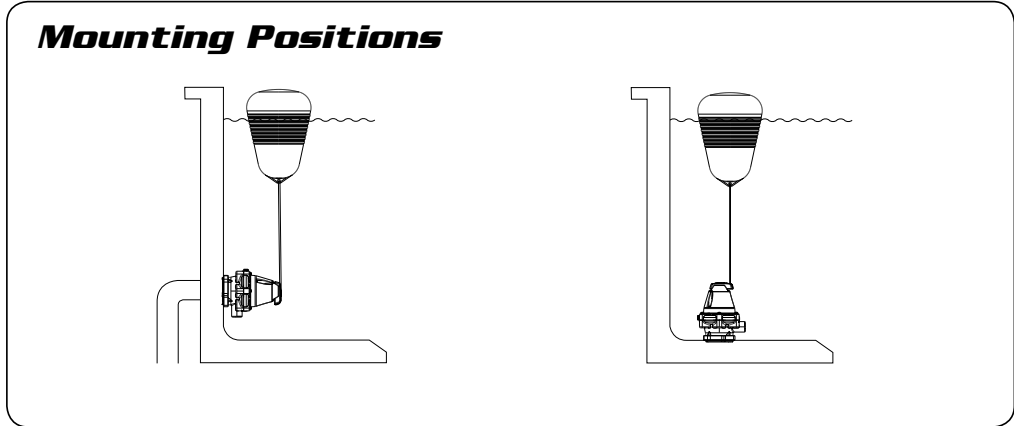
### Flow Graph



### Features

- High flow
- Compact robust construction
- 20-60mm (3/4" - 2 1/2") water level differential (increases as water pressure increases)
- Positive on/off operation
- Lock off with cord lock
- 0.3 - 10 bar (5 - 150 P.S.I.) pressure rating
- Inlet filter
- Constructed from corrosion resistant materials
- Under water installation helps avoid freezing
- Valve is less prone to stock damage

### Mounting Positions



### Options

	BSP				NPT				Long Tail:
Inlet Size	1/2"	3/4"	1"	1 1/4"	1/2"	3/4"	1"	1 1/4"	
Short Tail		✓	✓	✓		✓	✓	✓	Supplied with backnut and seal washer 1/2" Long Tail: 100mm long 3/4" Long Tail: 38mm long
Long Tail	✓	✓	✓	✓	✓	✓	✓	✓	

Specifies this Thread size

Detach

### MEGAFLOW TROUGH VALVE SPECIFICATION

PRODUCT	CODE	INLET SIZE	CODE	OPTIONS	CODE
Megaflow Trough Valve	MFV	1/2" bsp/npt	15	Detach Base	D
		3/4" bsp/npt	20	Long Tail Thread	LT
		1" bsp	25		
		1" npt	1		
		1 1/4" bsp	32		
		1 1/4" npt	114		

(e.g) A Megaflow Trough Valve with: 3/4" bsp inlet thread, detach base, long tail thread has the following spec number: MFV 20 D LT

NOTE: If no options are specified the standard ones will be supplied

Note: Before using check that under water mounting is allowed by local regulations.

Note: Product may differ slightly from these specs due to ongoing product development.

# MEGAFLOW TROUGH VALVE

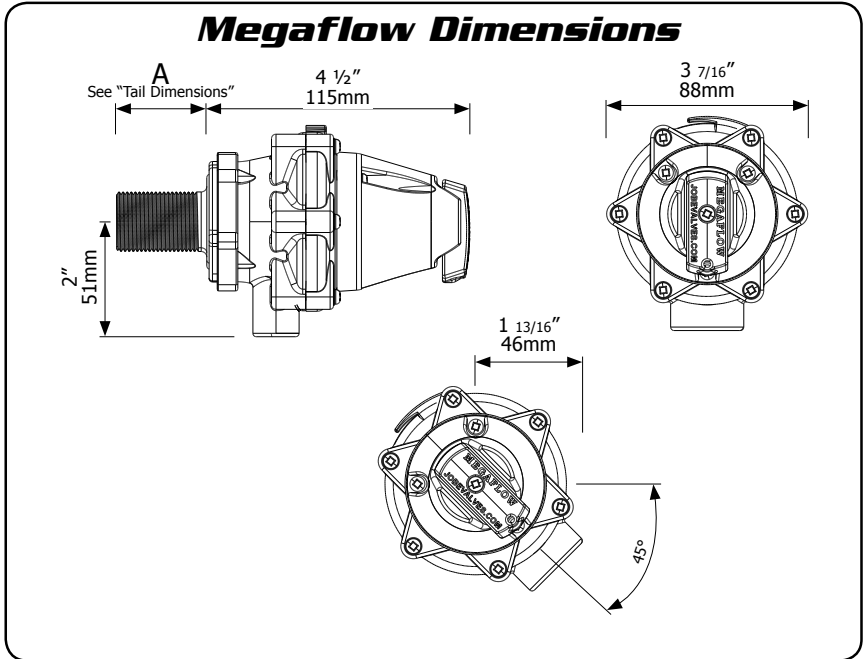
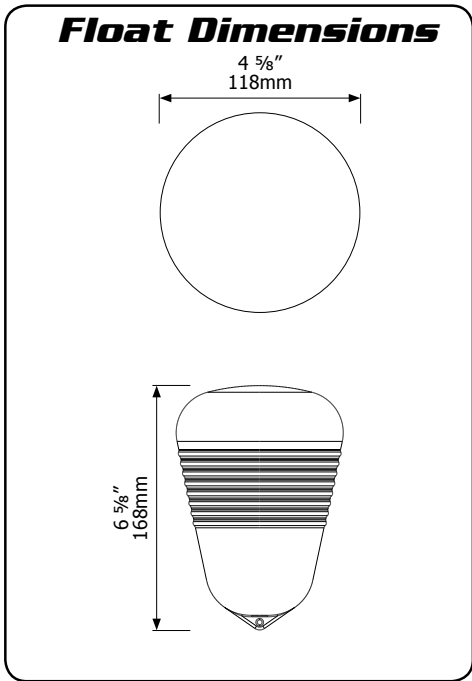
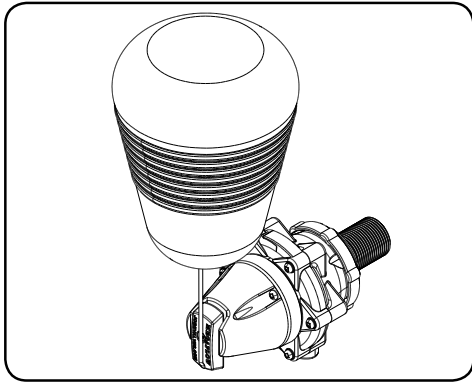
## DIMENSIONS & MATERIALS



# MEGAFLOW™

## TROUGH VALVE

200 L / MIN



### Tail Dimensions

Dimension A	mm	inches
20mm (3/4") Short Tail	22	7/8
25mm (1" ) bsp/npt short tail	22	7/8
32mm (1 1/4") bsp/npt short tail	25	1
15mm (1/2") Long Tail	100	4
20mm (3/4") long tail	38	1 1/2
25mm (1" )bsp/npt long tail	54	2 1/8
32mm (1 1/4") bsp/npt long tail	60	2 3/8

Part	Material	Part	Material
<b>Body</b>	Glass Filled Nylon	<b>Actuator Cap</b>	ABS
<b>White Internal Parts</b>	Acetal	<b>Detach Locking Ring</b>	Acetal
<b>Filter</b>	PP/Nylon	<b>O'Rings</b>	Nitrile
<b>Diaphragm</b>	EPDM	<b>Float</b>	HDPE
<b>Seal</b>	Urethane	<b>Seal Washer</b>	LDPE
<b>Springs, Bolts, Nuts, Pin, Screws</b>	304 Stainless Steel	<b>Float Cord</b>	Polyester

Maximum Operating Temperature **60°C, 140°F**

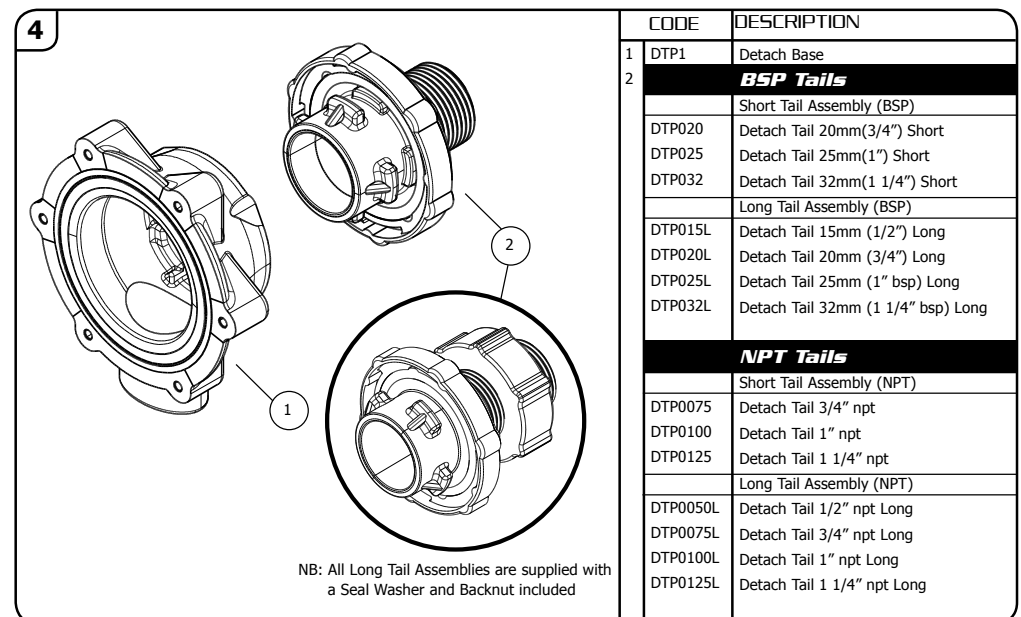
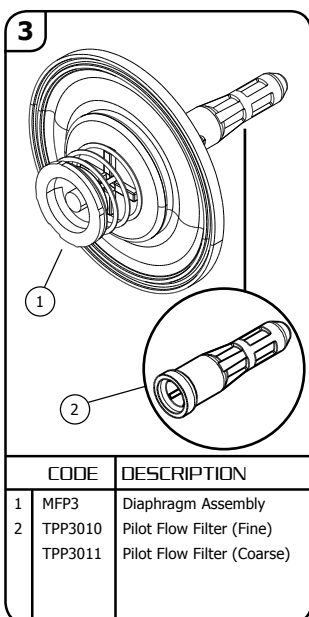
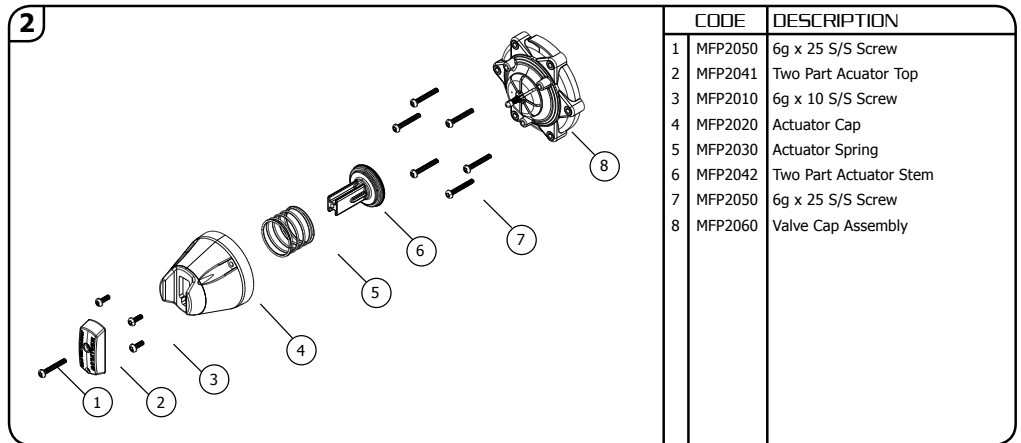
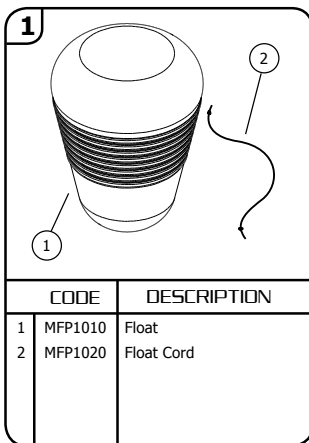
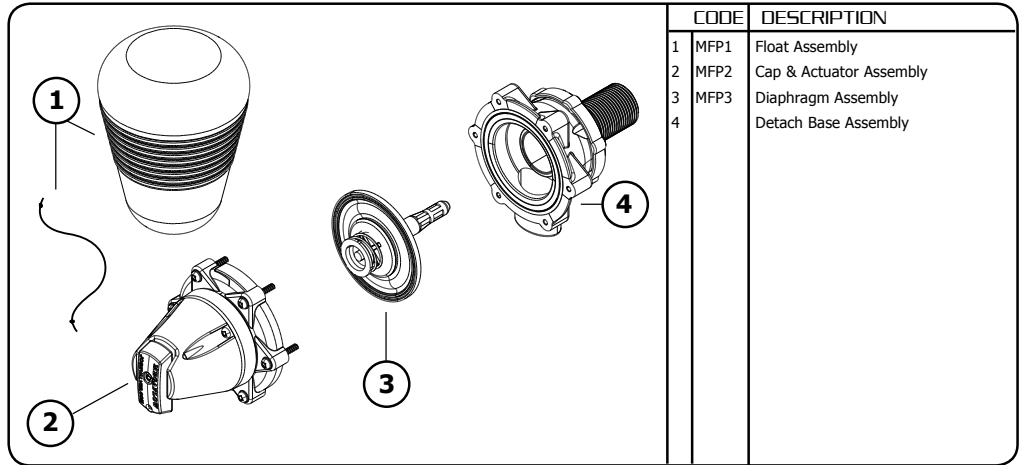
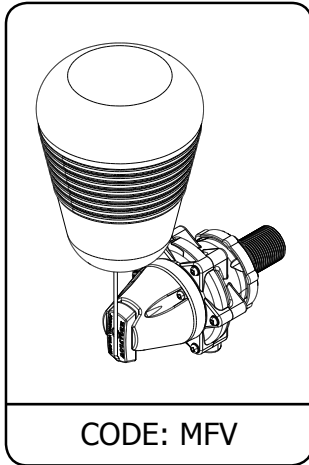
# MEGAFLOW TROUGH VALVE

## PARTS IDENTIFICATION SHEET



# MEGAFLOW™

## TROUGH VALVE



200 L / MIN