

# CONNECT PRODUCT INFO

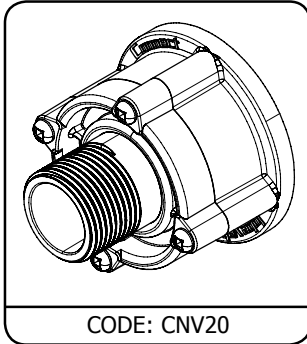


## CONNECT

QUICK COUPLING

### Description

Quick coupling for use with Jobe valves equipped with DETACH Valve Seal Access System.



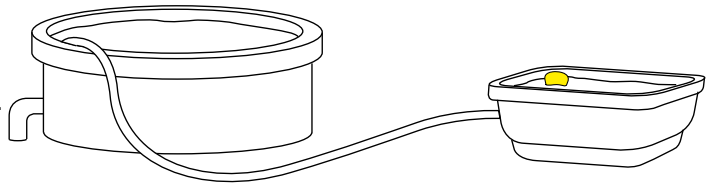
CODE: CNV20

### Features

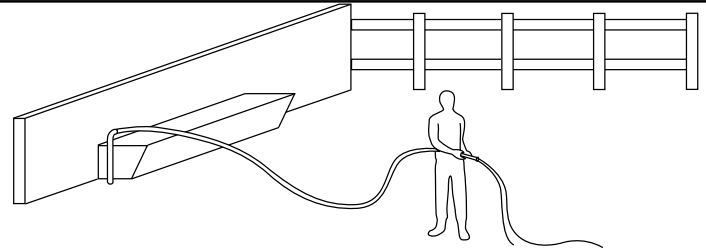
- Gives access to water system without the need for tools.
- Robust non corrosive construction.
- Suitable for use with Megaflow Detach and Topaz Detach trough valves

### Applications

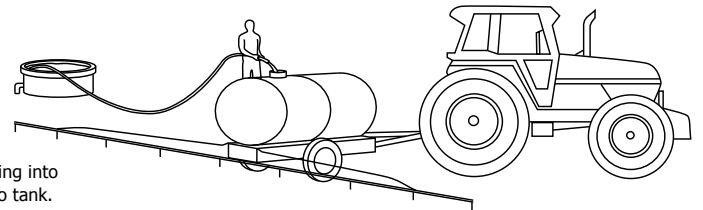
Quickly and easily connect a temporary trough to any trough fitted with a Detach equipped Jobe Valve. Ideal when break feeding paddocks with temporary electric fencing.



Quickly and easily connect a hose to any trough fitted with a Detach equipped Jobe Valve.



Ideal for filling spray tanks anywhere there is a trough with a Detach equipped Jobe Valve



NB: To avoid chemicals back feeding into water supply. Do not put hose into tank.

### Megaflow

<p><b>1.</b></p>	<p><b>2.</b></p>	<p><b>3.</b></p>	<p><b>4.</b></p>	<p><b>5.</b></p>
<p>Remove TOPAZ or MEGAFLOW Valve by rotating 45° anticlockwise.</p>	<p>Push connect fitting into place and rotate 45° clockwise.</p>		<p>Screw pipe fitting onto connect.</p>	<p>Connect hose to 3/4" thread on connect.</p>
<p><b>Topaz</b></p>				
<p><b>1.</b></p>	<p><b>2.</b></p>	<p><b>3.</b></p>	<p><b>4.</b></p>	<p><b>5.</b></p>

ACCESSORIES