

# TANK MOUNT ADAPTOR

## PRODUCT INFO



### Description

For mounting of float valve in tank with garden hose connection. Makes for easy installation of 3/4" float valves into tanks and troughs.



### Features

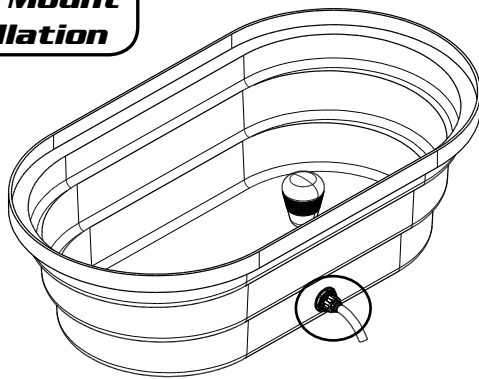
- TankMount fits through Rubbermaid 2" drain hole
- Easily adapts to most Poly and Galvanised tanks
- Offset 3/4" inlet gives added float valve clearance from tank bottom
- Backnut design with 3/4" FGHT prevents hose twist
- Tough UV reinforced nylon material construction
- Quality Nitrile Seals
- Max Pressure rating 150 psi
- 3/4" FGHT x 3/4" FNPT

### Applications

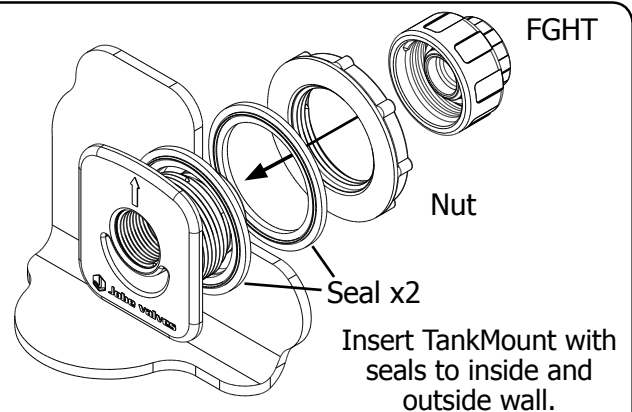
- Agriculture
- Home
- Industrial

**Code: ADF200**

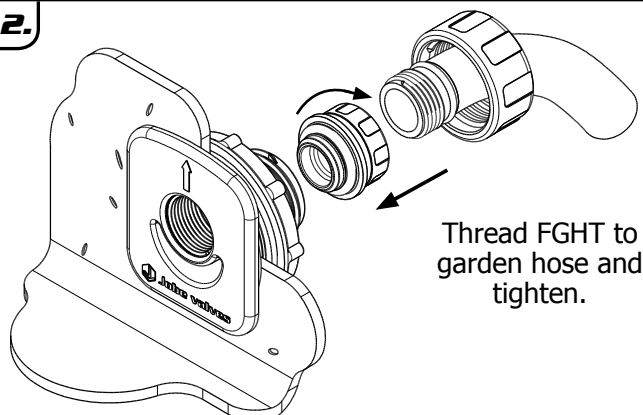
### Tank Mount Installation



1.



2.



3.

